

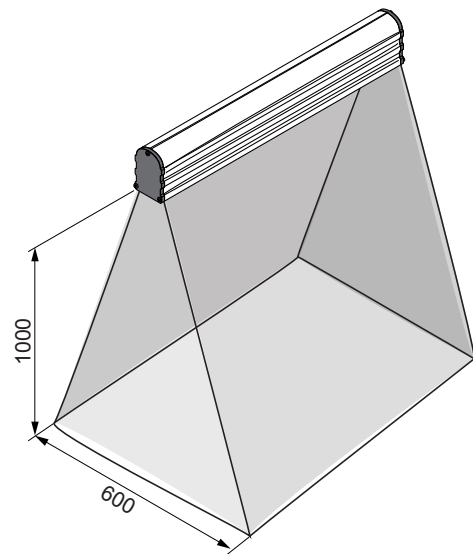


### Antistatic system for neutralizing materials at long distances

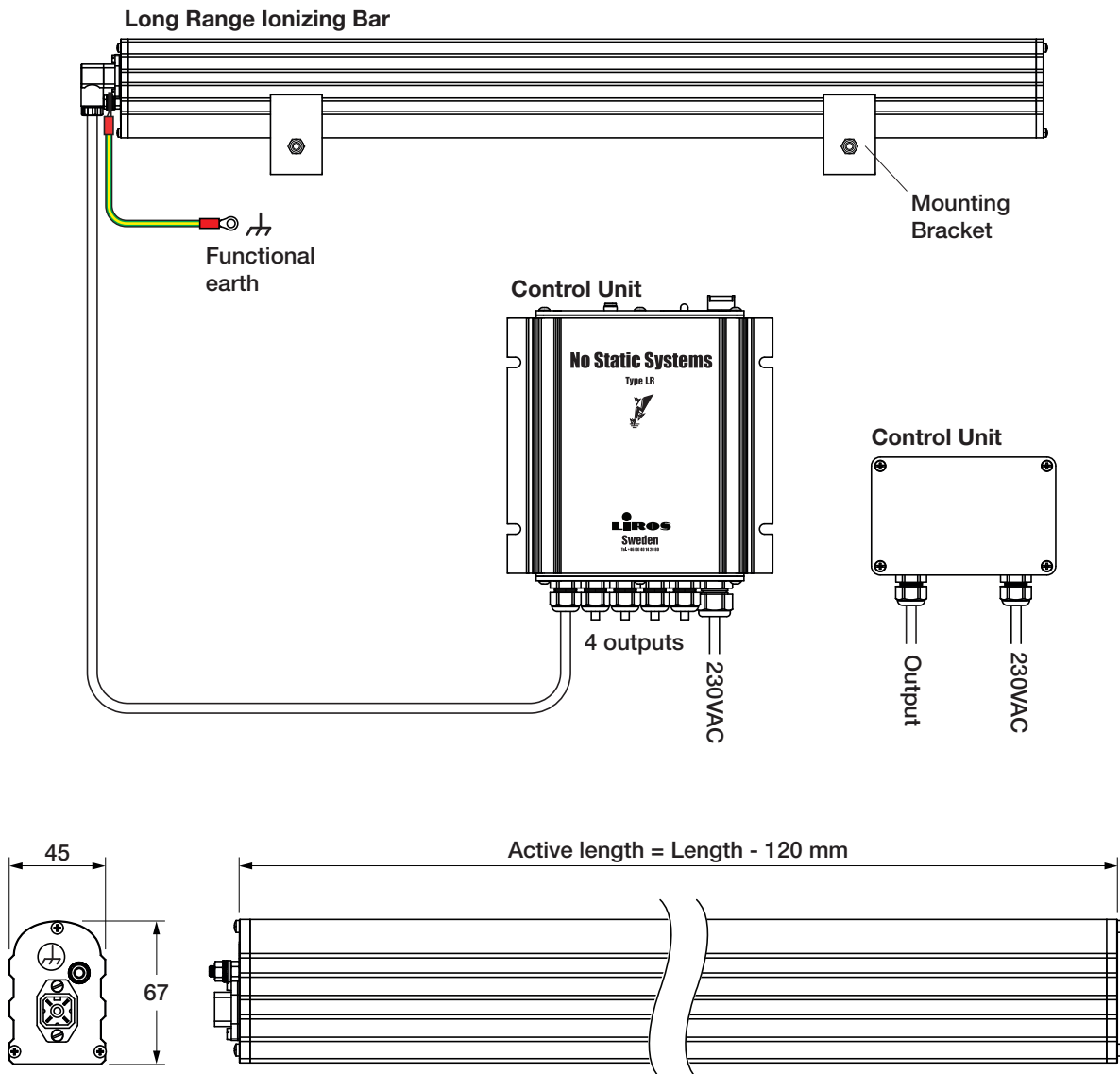
**The NoStatic Long Range** bar makes it possible to neutralize static charge at distances that used to be impossible without assistance of fans or compressed air. With a range of up to 1000 mm, the system is ideal for applications where the neutralizing of the static charge has to be done at greater distances or on larger surfaces.

Examples of common applications are injection moulding, extrusion, conveyor belts or winding of av plastic film, where material and product change in size and shape.

- Neutralizes static charge at distances up to 1000 mm with wide spread.
- Integrated high voltage unit in the bar.
- Powered with 24VDC.
- 100% efficiency without losses.
- Adjustable frequency for optimization of speed and range.
- Up to 4 ionizing bars per control unit.



## Anslutningsdiagram



## Produktlista

### SER/LR Ionizing Bar

Order No.: LI 01 12 XY (XY = length in decimeter)  
Length: 500-4000 mm

### CCU/LR01 Control Unit - 4 Outputs

Order No.: LI 03 11 01 (Europe)  
Order No.: LI 03 11 11 (UK)  
Order No.: LI 03 11 21 (DK)

### CCU/LR24V01 Control Unit - 1 Output

Order No.: LI 03 24 01 (Europe)  
Order No.: LI 03 24 11 (UK)  
Order No.: LI 03 24 21 (DK)

### SKLR/04 Low Voltage Cable

Order No.: LI 02 04 05, 5 meters  
Order No.: LI 02 04 10, 10 meters  
Order No.: LI 02 04 25, 25 meters

### SEH/LRB-3 Mounting Bracket, each

Order No.: LI 01 90 05

