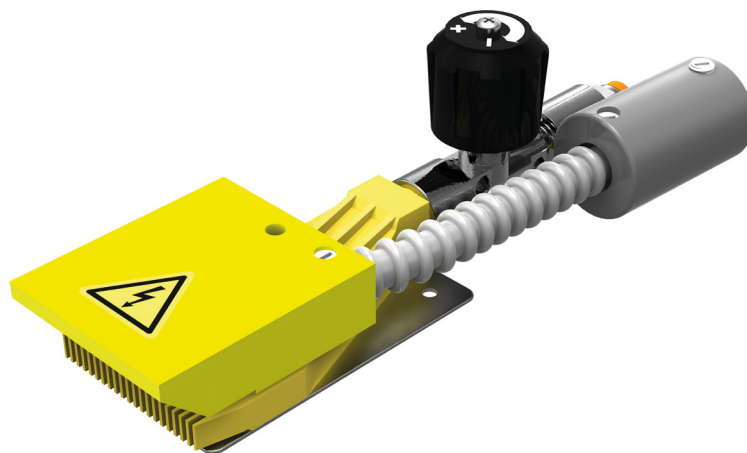


JBT Ionizers

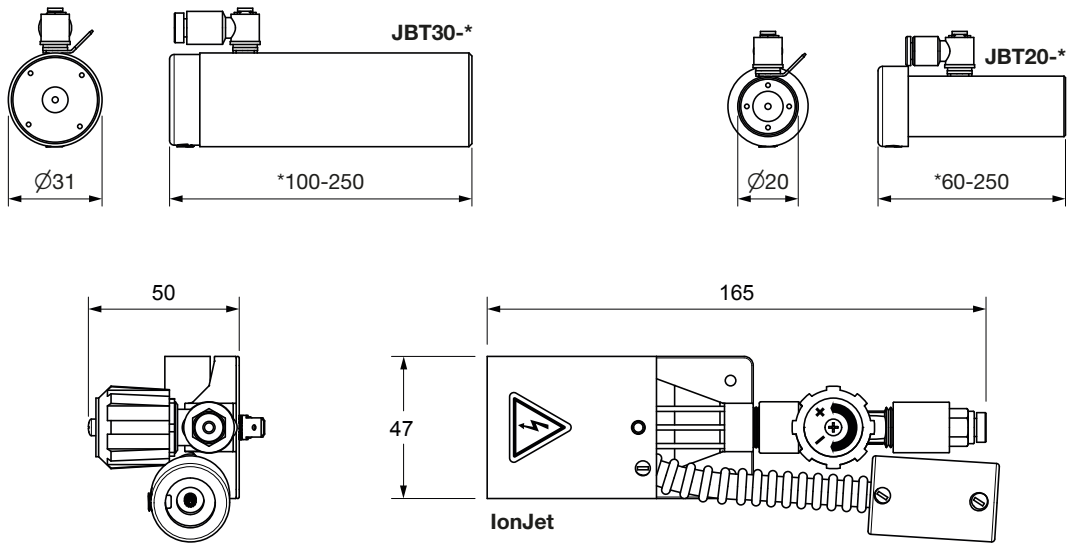
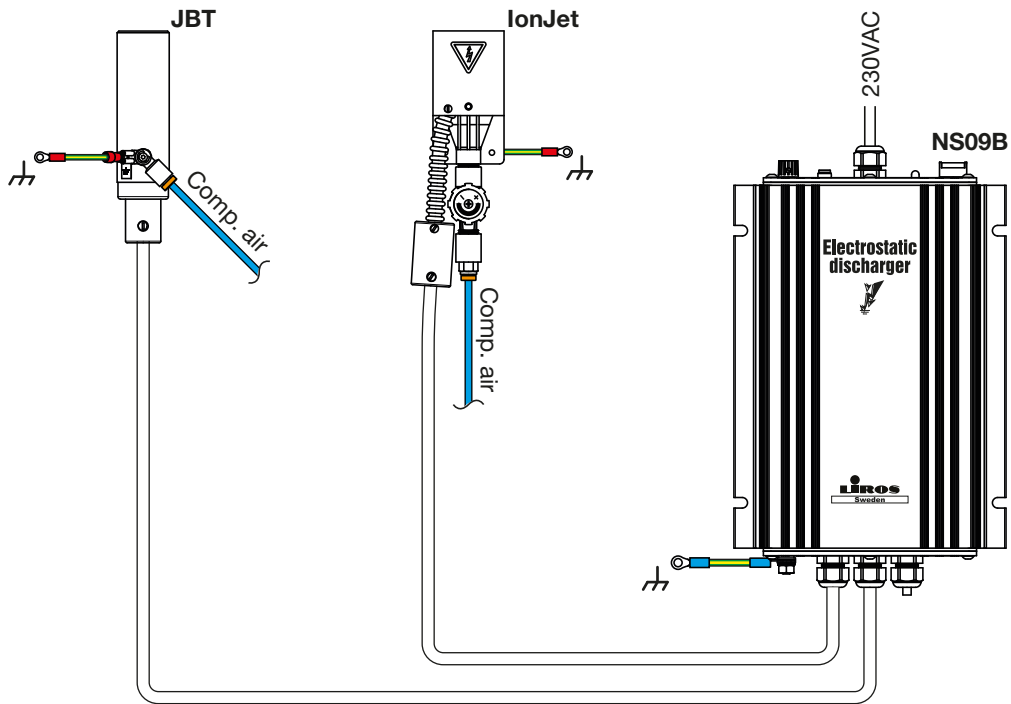
Air nozzles tubes for point ionization. Available in two diameters (20 and 31 mm) and three lengths (60, 100, and 250 mm).



IonJet

Air nozzle for a point blowing. 50 mm air core. 1 to 6 modules can be used side by side, covering up to 300 mm in width.

Connection Diagram



Parts List

JBT Ionizers

JBT20-60, Order No.: LI 14 02 06
 JBT20-100, Order No.: LI 14 02 10
 JBT20-250, Order No.: LI 14 02 25
 JBT30-100, Order No.: LI 14 03 10
 JBT30-250, Order No.: LI 14 03 25

IonJet Ionizer

Order No.: LI 14 01 10

NS09B Control Unit with 3 Outputs

230VAC/50Hz, Order No.: LI 13 09 01

