

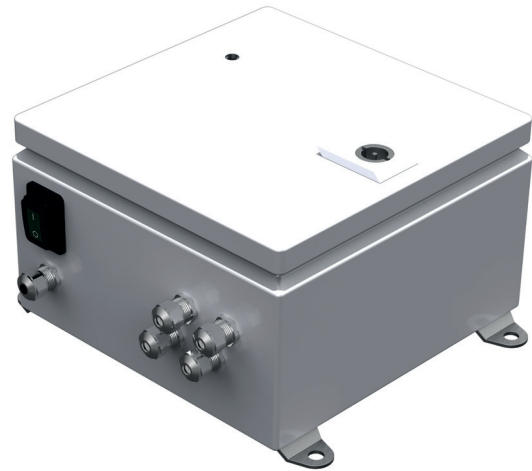
ZeroLine PU

Control unit with 4 outputs.



ZeroLine PU-AL

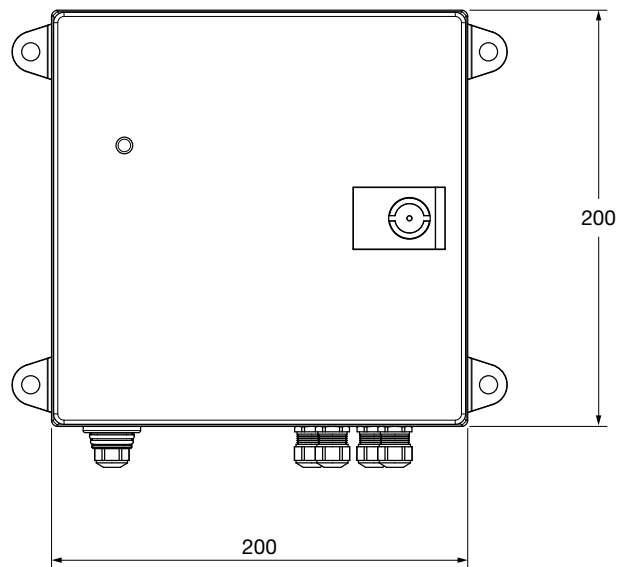
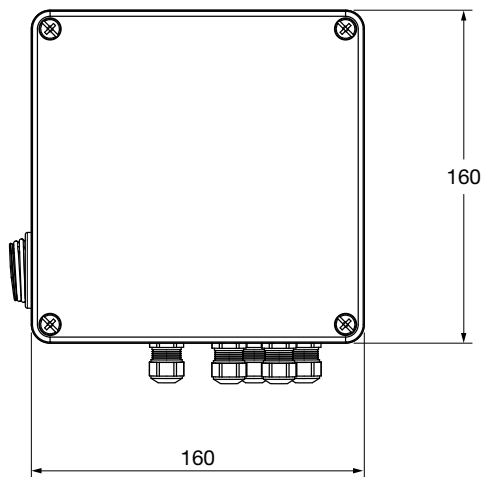
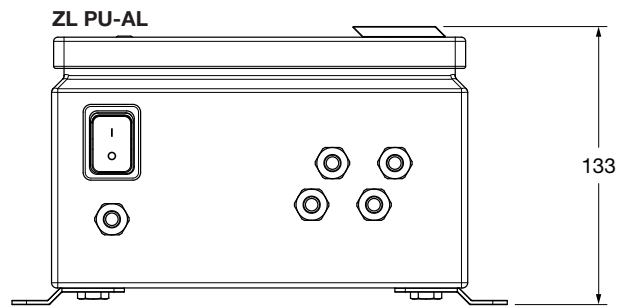
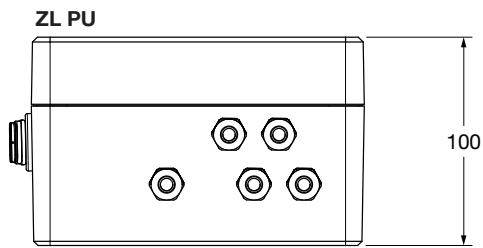
Control unit with alarm and 4 outputs.



TECHNICAL DATA:

| | |
|--------------------|---|
| W x H x D | 160 x 100 x 160 mm (ZL PU) 200 x 200 x 133 mm (ZL PU-AL) |
| Weight | 4200 g (ZL PU) 5500 g (ZL PU-AL) |
| Number of outputs | 4 |
| Input voltage | 230VAC |
| Output voltage | 4.8kV |
| Input current | 250mA |
| Output current | 5mA |
| Power | 24VA |
| Ingress protection | IP 65 |

Dimensions



Parts List

ZL PU Control Unit - 4 Outputs

Order No.: ZL 940000

ZL PU-AL Control Unit with Alarm - 4 Outputs

Order No.: ZL 940201

ZL EB14 Splitter 1 in / 4 out

Order No.: ZL 940047

ZL HV High Voltage Cable

Length: 1.5 - 20 m

Order No.: ZL 943XYZ

